



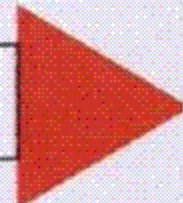
Index	Pos.	Ident No.	Description 
U 3.6	□	549000 23900	GASKET SET ¹⁾
	4	020000 23900	ROTOR
	6	911002 00000	STAR-TOLERANCE-RING
	7	900561 00000	ROTOR VANE IN PLASTIC (3x) ²⁾
	9	000100 23900	PUMP BODY
	10	945363 00000	SOCKET HEAD SCREW
	13	948765 00000	BLIND RIVET
	14	001600 23900	OIL SUMP
	15	945324 00000	SOCKET HEAD SCREW
	16	948021 00000	SEALING RING
	17	951202 00000	LOCKING SCREW
	18	947906 00000	SEALING RING
	28	867800 99559	FLOAT
	31	003300 10700	NOZZLE
	35	965406 00000	OIL SEPARATING ELEMENT (1x) ²⁾
	36	913163 00000	O-RING
	41	015100 23900	FOOT
	42	951703 00000	SPRING DISC
	43	945319 00000	SOCKET HEAD SCREW
	46	951918 00000	RUBBER BUSHING
	52	948062 00000	SEALING RING
54	737500 99686	NON RETURN VALVE	
81	002500 23900	OIL SEPARATOR COVER	
82	007000 23900	GASKET	
83	945320 00000	SOCKET HEAD SCREW	
85	948021 00000	SEALING RING	
87	952009 00000	LOCATING PEG	
88	907309 00000	OIL SIGHT GLASS	
91	040800 23900	FILTER COVER	
92	948066 00000	SEALING RING	
95	008001 23900	SIEVE	
96	008000 23900	SIEVE	
97	005000 23900	METAL FILTER	
141	021500 23900	HANDLE	
143	945320 00000	SOCKET HEAD SCREW	
144	948505 00000	SPRING WASHER	

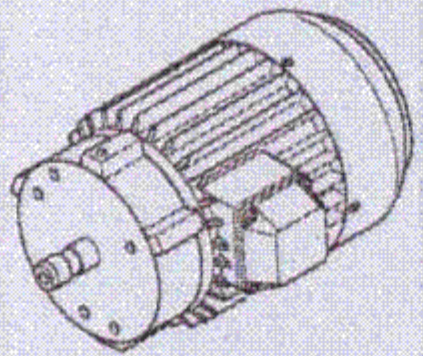
Index	Pos.	Ident No.	Description 
-------	------	-----------	---

¹⁾ **Set of seals** - 549000 23900 - Pos.: 16, 18, 36, 52, 82, 85, 92
²⁾ necessary order quantity / maintenance

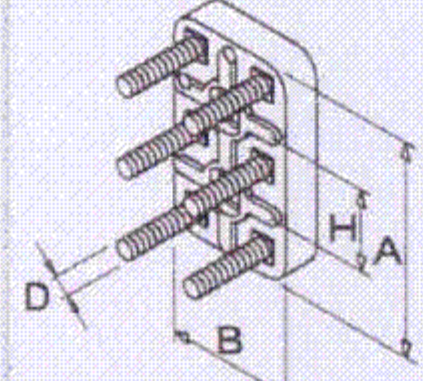
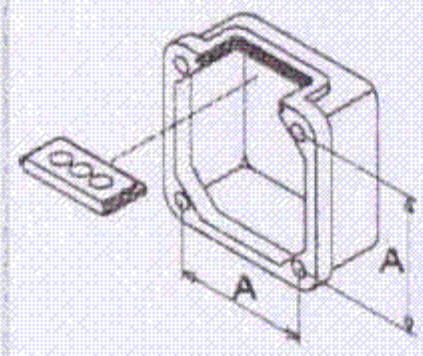
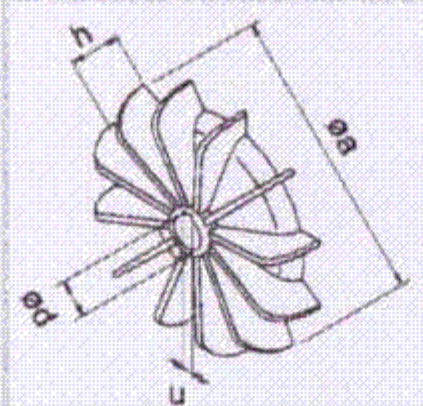
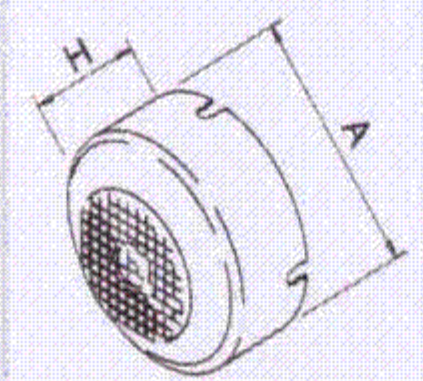
OPTIONAL

U 3.6	- 09	Special design - with gas ballast valve
	- 46	Special design - with suction filter

Items different from standard appliance see appendix (back of drawing) 

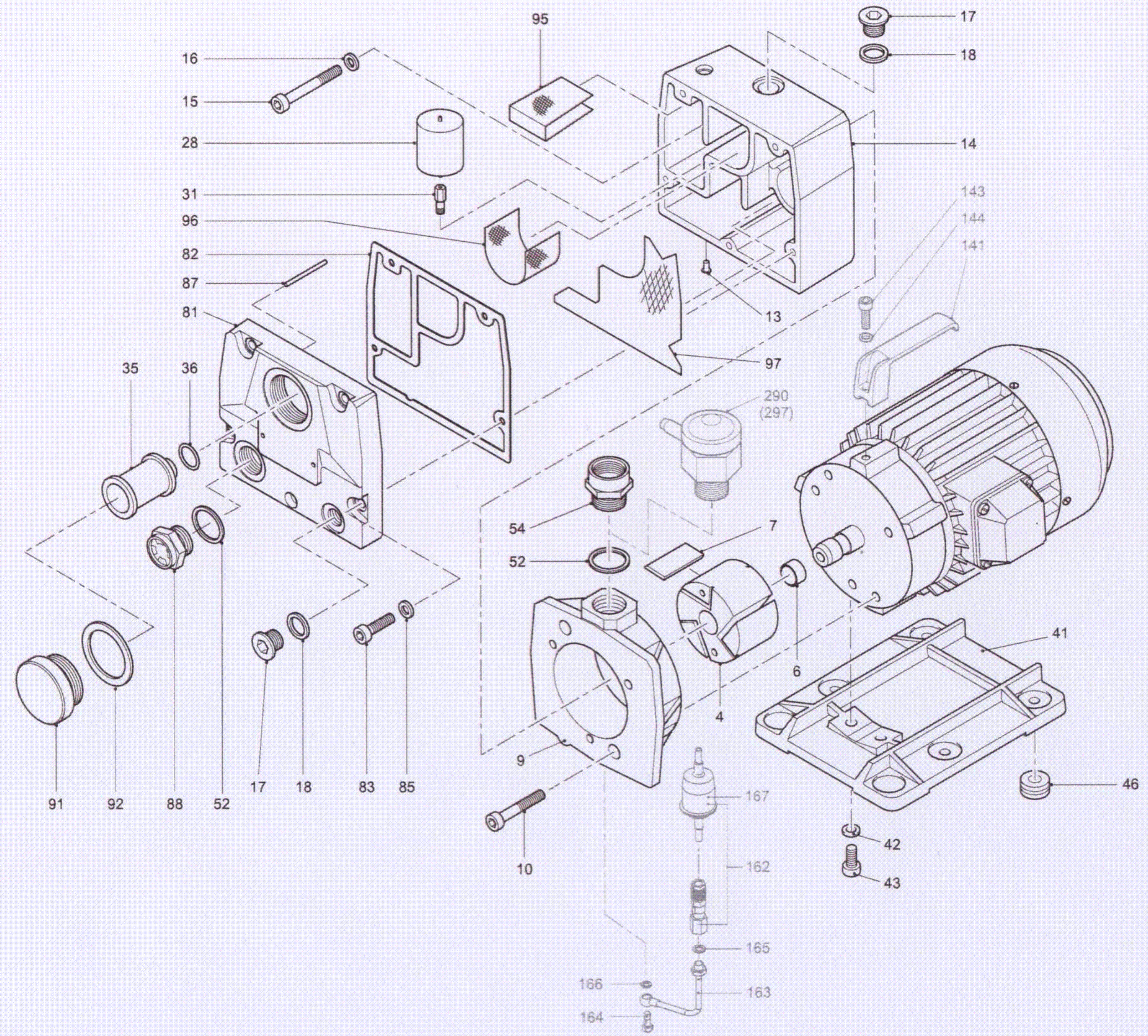
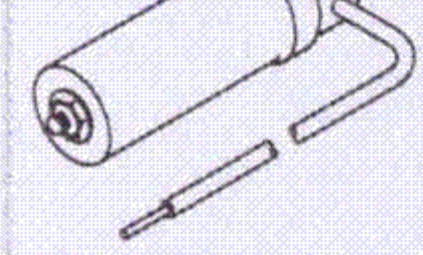


SERVICE ?



1~

C = ? μ F
U = ? V



standard

U 3.6

optional
en option
opcionale
opcional