

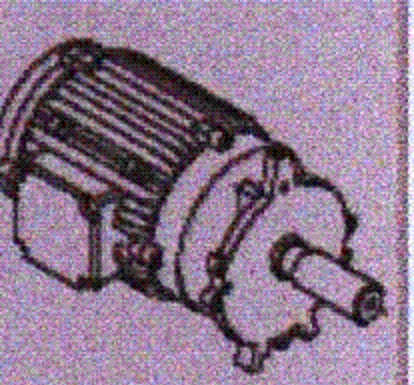
A
Index**DT 4.25K**

Pos.	Ident No.	Description
15	020000 16400	ROTOR
16	016800 16500	CLAMPING DISC
17	911012 00000	STAR-TOLERANCE-RING
18	949203 00000	TOOTHED SPRING WASHER
19	945320 00000	SOCKET HEAD SCREW
21	000100 27500	PUMP BODY
22	951806 00000	LOCATING PEG
23	945320 00000	SOCKET HEAD SCREW
24	901349 00000	CARBON VANES (7x)¹⁾
25	952009 00000	LOCATING PEG
28	000701 27600	LID
29	945373 00000	SOCKET HEAD SCREW
30	008900 16500	GASKET
33	560200 27500	COOLER
34	005700 27600	GASKET
35	945325 00000	SOCKET HEAD SCREW
46	502300 16400	FAN
48	947713 00000	KEY
49	949454 00000	WASHER
50	901804 00000	SHAFT END BOLD
61	004803 27600	FILTER COVER
67	009000 16300	LEAF SPRING
72	909505 00000	FILTER CARTRIDGE C 75/2 (1x)¹⁾
76	945373 00000	SOCKET HEAD SCREW
77	948021 00000	SEALING RING
78	913161 00000	O-RING
83	006800 27500	PROTECTING HOOD
84	742609 01000	TUBE FLEXIBLE
85	951920 00000	RUBBER ELEMENT
88	006803 27600	PROTECTING HOOD
89	741365 00000	RUBBER BUFFER
90	945318 00000	SOCKET HEAD SCREW
91	951922 00000	RUBBER ELEMENT
92	964108 00000	EDGE PROTECTION
94	015100 27600	FOOT
95	951921 00000	RUBBER ELEMENT
96	068000 27600	SPACING COLLAR
97	945328 00000	SOCKET HEAD SCREW
98	949451 00000	WASHER
101	833903 99597	VALVE DISC
102	951906 00000	RUBBER BUSHING
103	068002 16500	SPACER TUBE
104	548800 16300	RING SCREW
125	728003 99611	PRESSURE REGUL. VALVE
126	943132 00000	NOZZLE
130	951225 00000	LOCKING SCREW

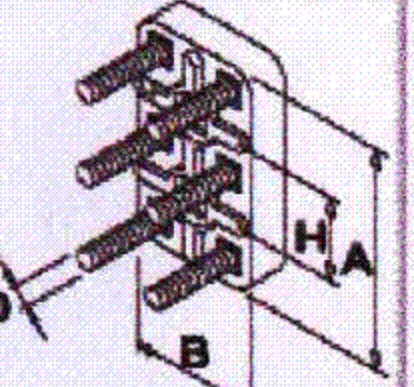
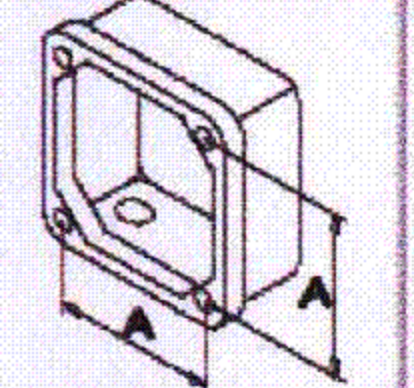
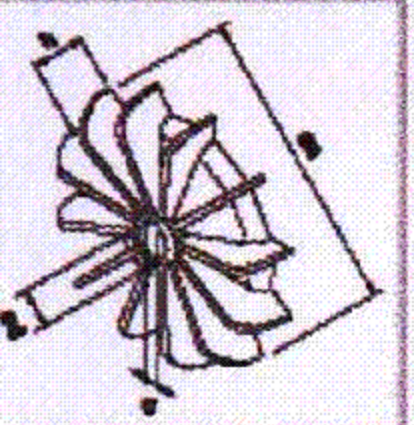
¹⁾ necessary order quantity / maintenance**DT 4.25K** (1~) Design - single-phase AC**DT 4.25K/0-06** (3~) Design - without filter / three phase ACItems different from standard appliance see appendix (back of drawing) **A**
Index**DT 4.40K**

Pos.	Ident No.	Description
15	020000 16500	ROTOR
16	016800 16500	CLAMPING DISC
17	911008 00000	STAR-TOLERANCE-RING
18	949203 00000	TOOTHED SPRING WASHER
19	945320 00000	SOCKET HEAD SCREW
21	000100 27600	PUMP BODY
23	945322 00000	SOCKET HEAD SCREW
24	901352 00000	CARBON VANES (7x)¹⁾
25	952009 00000	LOCATING PEG
28	000701 27600	LID
29	945374 00000	SOCKET HEAD SCREW
30	008900 16500	GASKET
33	560200 27600	COOLER
34	005700 27600	GASKET
35	945325 00000	SOCKET HEAD SCREW
46	902300 27600	FAN
48	947713 00000	KEY
49	949454 00000	WASHER
50	901804 00000	SHAFT END BOLD
61	004803 27600	FILTER COVER
67	009000 16300	LEAF SPRING
72	909505 00000	FILTER CARTRIDGE C 75/2 (1x)¹⁾
76	945373 00000	SOCKET HEAD SCREW
77	948021 00000	SEALING RING
78	913161 00000	O-RING
83	006800 27600	PROTECTING HOOD
84	742609 01000	TUBE FLEXIBLE
85	951920 00000	RUBBER ELEMENT
88	006803 27600	PROTECTING HOOD
89	741365 00000	RUBBER BUFFER
90	945318 00000	SOCKET HEAD SCREW
91	951922 00000	RUBBER ELEMENT
92	964108 00000	EDGE PROTECTION
94	015100 27600	FOOT
95	951921 00000	RUBBER ELEMENT
96	068000 27600	SPACING COLLAR
97	945328 00000	SOCKET HEAD SCREW
98	949451 00000	WASHER
101	833903 99597	VALVE DISC
102	951906 00000	RUBBER BUSHING
103	068002 16500	SPACER TUBE
104	548800 16300	RING SCREW
125	728003 99611	PRESSURE REGUL. VALVE
126	943133 00000	NOZZLE
130	951225 00000	LOCKING SCREW

¹⁾ necessary order quantity / maintenance**DT 4.40K** (1~) Design - single-phase AC**DT 4.40K/0-06** (3~) Design - without filter / three phase ACItems different from standard appliance see appendix (back of drawing) 

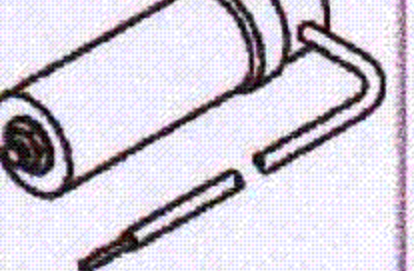


SERVICE ? i



1~

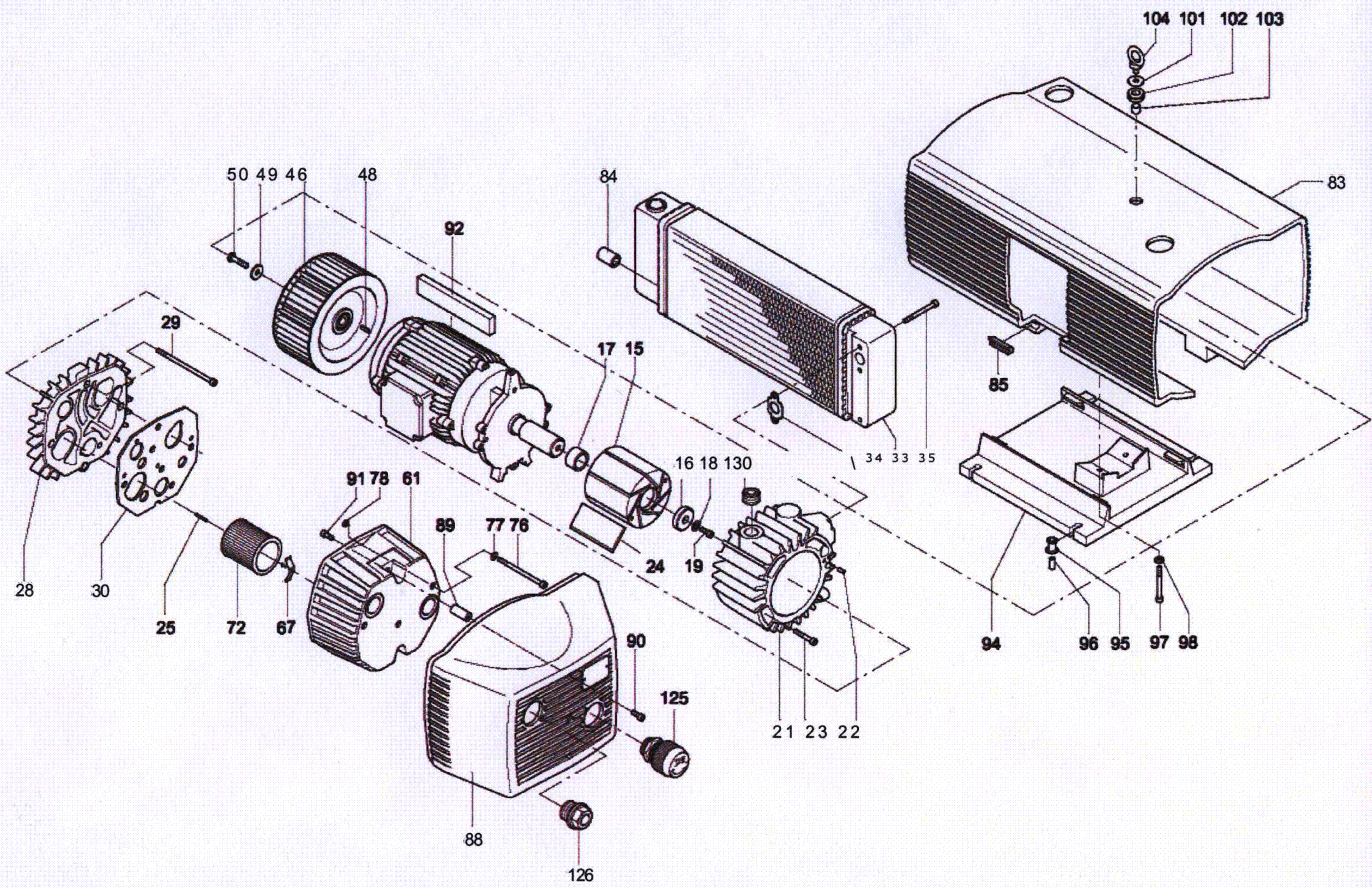
C = 7µF
J = 7V



standard

DT 4.25K (3-)

DT 4.40K (3-)



optional
en option
opcionale
opcional

