

DT4.10

| Index | Pos. | (dent No.) | Description |
|-------|------|--------------|--|
| O | 15 | 020000 16200 | ROTOR |
| | 16 | 016800 05000 | CLAMPING DISC |
| 4 | 17 | 911001 00000 | STAR-TOLERANCE-RING |
| I- | 18 | 949203 00000 | TOOTHED SPRING WASHER |
| | 19 | 945320 00000 | SOCKET HEAD SCREW |
| | 21 | 000100 16200 | PUMP BODY |
| | 23 | 945319 00000 | SOCKET HEAD SCREW |
| | 24 | 901327 00007 | CARBON VANES (KIT) |
| | 28 | 000700 16200 | LID |
| | 29 | 945364 00000 | SOCKET HEAD SCREW |
| | 30 | 008901 16200 | GASKET |
| | 61 | 004800 27300 | FILTER COVER |
| | 67 | 009000 16300 | BLADE SPRING |
| | 69 | 952009 00000 | LOCATING PIN |
| | 72 | 909518 00000 | FILTER CARTRIDGE (1x) ¹⁾ |
| | 74 | 909554 00000 | FILTER CARTRIDGE (1x) ¹⁾ |
| | 76 | 945364 00000 | SOCKET HEAD SCREW |
| | 77 | 948021 00000 | SEALING RING |
| | 78 | 913161 00000 | O-RING |
| | 83 | 006800 27300 | PROTECTING HOOD |
| | 84 | 060901 16300 | ELASTIC PAD |
| | 85 | 741310 50000 | RUBBER BUFFER |
| | 86 | 949402 00000 | WASHER |
| | 87 | 947001 00000 | HEX.NUT |
| | 88 | 006801 27300 | PROTECTING HOOD (FRONT) |
| | 89 | 741310 90000 | RUBBER BUFFER |
| | 90 | 945318 00000 | SOCKET HEAD SCREW |
| | 91 | 951922 00000 | RUBBER ELEMENT |
| | 94 | 015100 27300 | FOOT |
| | 95 | 951921 00000 | RUBBER ELEMENT |
| | 96 | 068000 27600 | SPACING COLLAR |
| | 97 | 945363 00000 | SOCKET HEAD SCREW |
| | 98 | 949451 00000 | WASHER |
| | 102 | 968104 00000 | RUBBER SLEEVE |
| | 103 | 029600 16300 | BOLT |
| | 123 | 728003 99611 | PRESSURE REGULATING VALVE |
| | 129 | 943131 00000 | NOZZLE |
| | 133 | 951224 00000 | SCREW PLUG |

¹⁾ necessary order quantity / maintenance

DT 4.10 (1-) Design - single-phase AC

Items different from standard appliance see appendix (back of drawing)

DT4.16

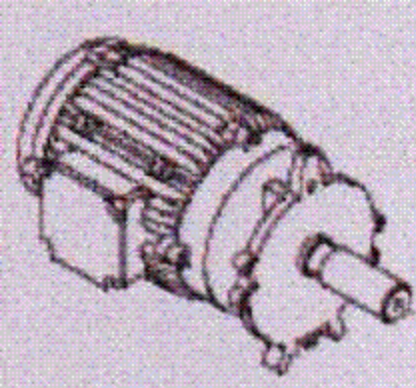


| Index | Pos. | Ident No. | Description |
|-------|------|--------------|--|
| CO | 15 | 020000 16300 | ROTOR |
| | 16 | 016800 16300 | CLAMPING DISC |
| 4 | 17 | 911009 00000 | STAR-TOLERANCE-RING |
| I- | 18 | 949203 00000 | TOOTHED SPRING WASHER |
| | 19 | 945320 00000 | SOCKET HEAD SCREW |
| | 21 | 000105 16300 | PUMP BODY |
| | 23 | 945321 00000 | SOCKET HEAD SCREW |
| | 24 | 901347 00007 | CARBON VANES (KIT) |
| | 28 | 000705 16300 | LID |
| | 29 | 945372 00000 | SOCKET HEAD SCREW |
| | 30 | 008901 16300 | GASKET |
| | 61 | 004800 27400 | FILTER COVER |
| | 67 | 009000 16300 | BLADE SPRING |
| | 69 | 952009 00000 | LOCATING PIN |
| | 72 | 909519 00000 | FILTER CARTRIDGE (1x) ¹⁾ |
| | 74 | 909542 00000 | FILTER CARTRIDGE (1x) ¹⁾ |
| | 76 | 945325 00000 | SOCKET HEAD SCREW |
| | 77 | 948021 00000 | SEALING RING |
| | 78 | 913161 00000 | O-RING |
| | 83 | 006800 27400 | PROTECTING HOOD |
| | 84 | 060901 16300 | ELASTIC PAD |
| | 85 | 741310 50000 | RUBBER BUFFER |
| | 86 | 949402 00000 | WASHER |
| | 87 | 947001 00000 | HEX.NUT |
| | 88 | 006801 27400 | PROTECTING HOOD (FRONT) |
| | 89 | 741310 90000 | RUBBER BUFFER |
| | 90 | 945318 00000 | SOCKET HEAD SCREW |
| | 91 | 951922 00000 | RUBBER ELEMENT |
| | 94 | 015100 27400 | FOOT |
| | 95 | 951921 00000 | RUBBER ELEMENT |
| | 96 | 068000 27600 | SPACING COLLAR |
| | 97 | 945323 00000 | SOCKET HEAD SCREW |
| | 98 | 949451 00000 | WASHER |
| | 102 | 968104 00000 | RUBBER SLEEVE |
| | 103 | 029600 16300 | BOLT |
| | 123 | 728003 99611 | PRESSURE REGULATING VALVE |
| | 129 | 943131 00000 | NOZZLE |
| | 133 | 951224 00000 | SCREW PLUG |

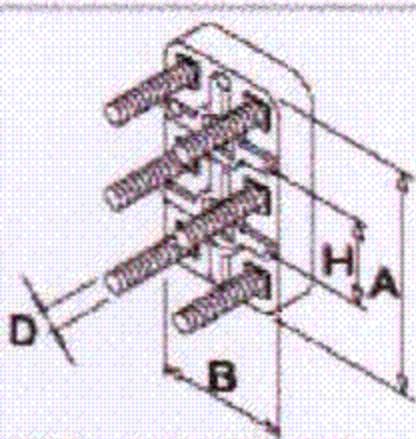
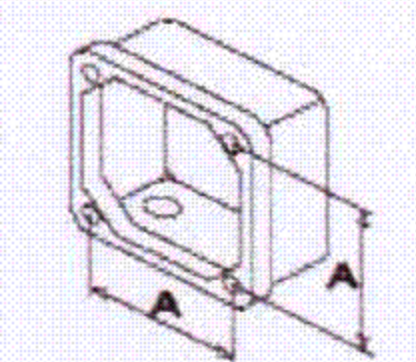
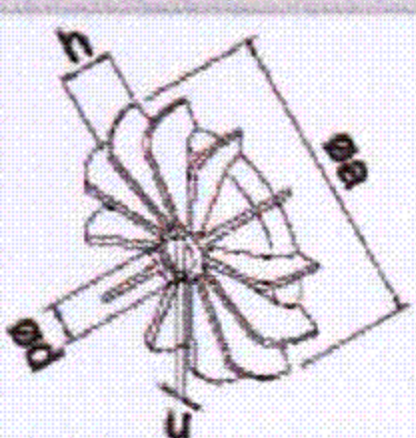
¹⁾ necessary order quantity / maintenance

DT 4.16 (1-) Design - single-phase AC
DT 4.16/05-51 (1-) Special design
 (3-) Special design
DT 4.16K/0-06 (3-) Design with cooler - without filter / three phase AC

Items different from standard appliance see appendix (back of drawing)

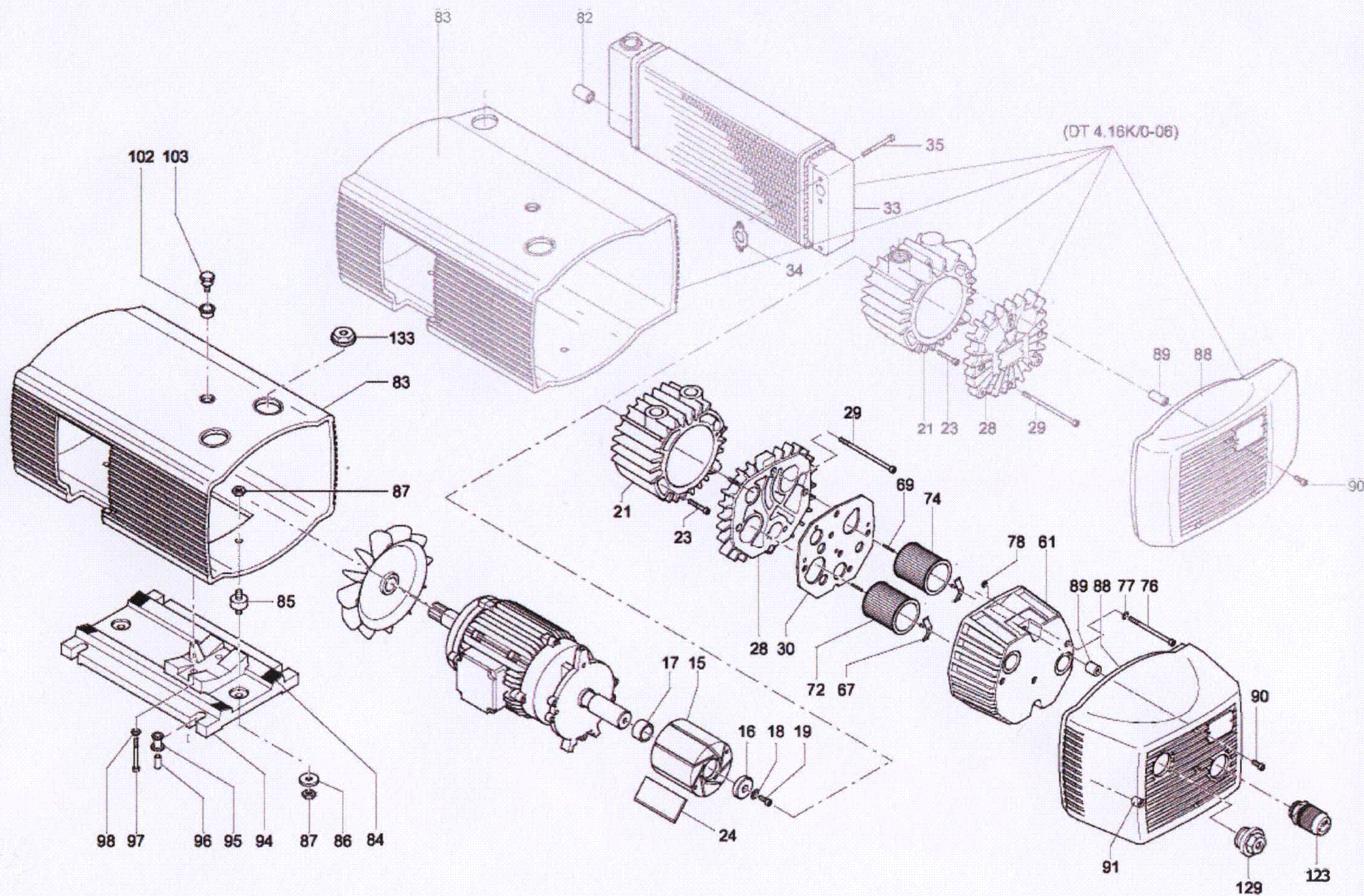
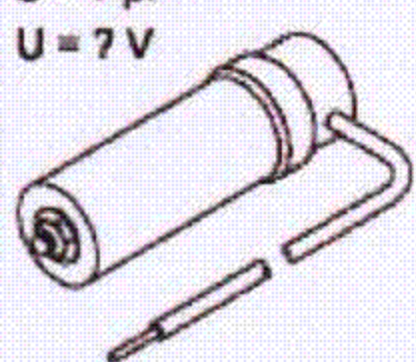


SERVICE ? i



1-

C = 7 μF
U = 7V



standard

DT 4.10 (3-)

DT 4.16 (3-)

optional
en option
opcionale
opcional

