

DT4.10

Index	Pos.	(dent No.)	Description
O	15	020000 16200	ROTOR
	16	016800 05000	CLAMPING DISC
4	17	911001 00000	STAR-TOLERANCE-RING
I-	18	949203 00000	TOOTHED SPRING WASHER
	19	945320 00000	SOCKET HEAD SCREW
	21	000100 16200	PUMP BODY
	23	945319 00000	SOCKET HEAD SCREW
	24	901327 00007	CARBON VANES (KIT)
	28	000700 16200	LID
	29	945364 00000	SOCKET HEAD SCREW
	30	008901 16200	GASKET
	61	004800 27300	FILTER COVER
	67	009000 16300	BLADE SPRING
	69	952009 00000	LOCATING PIN
	72	909518 00000	FILTER CARTRIDGE (1x) ¹⁾
	74	909554 00000	FILTER CARTRIDGE (1x) ¹⁾
	76	945364 00000	SOCKET HEAD SCREW
	77	948021 00000	SEALING RING
	78	913161 00000	O-RING
	83	006800 27300	PROTECTING HOOD
	84	060901 16300	ELASTIC PAD
	85	741310 50000	RUBBER BUFFER
	86	949402 00000	WASHER
	87	947001 00000	HEX.NUT
	88	006801 27300	PROTECTING HOOD (FRONT)
	89	741310 90000	RUBBER BUFFER
	90	945318 00000	SOCKET HEAD SCREW
	91	951922 00000	RUBBER ELEMENT
	94	015100 27300	FOOT
	95	951921 00000	RUBBER ELEMENT
	96	068000 27600	SPACING COLLAR
	97	945363 00000	SOCKET HEAD SCREW
	98	949451 00000	WASHER
	102	968104 00000	RUBBER SLEEVE
	103	029600 16300	BOLT
	123	728003 99611	PRESSURE REGULATING VALVE
	129	943131 00000	NOZZLE
	133	951224 00000	SCREW PLUG

¹⁾ necessary order quantity / maintenance

DT 4.10 (1-) Design - single-phase AC

Items different from standard appliance see appendix (back of drawing)

DT4.16

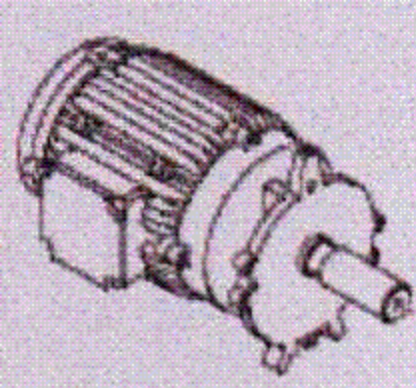


Index	Pos.	Ident No.	Description
CO	15	020000 16300	ROTOR
	16	016800 16300	CLAMPING DISC
4	17	911009 00000	STAR-TOLERANCE-RING
I-	18	949203 00000	TOOTHED SPRING WASHER
	19	945320 00000	SOCKET HEAD SCREW
	21	000105 16300	PUMP BODY
	23	945321 00000	SOCKET HEAD SCREW
	24	901347 00007	CARBON VANES (KIT)
	28	000705 16300	LID
	29	945372 00000	SOCKET HEAD SCREW
	30	008901 16300	GASKET
	61	004800 27400	FILTER COVER
	67	009000 16300	BLADE SPRING
	69	952009 00000	LOCATING PIN
	72	909519 00000	FILTER CARTRIDGE (1x) ¹⁾
	74	909542 00000	FILTER CARTRIDGE (1x) ¹⁾
	76	945325 00000	SOCKET HEAD SCREW
	77	948021 00000	SEALING RING
	78	913161 00000	O-RING
	83	006800 27400	PROTECTING HOOD
	84	060901 16300	ELASTIC PAD
	85	741310 50000	RUBBER BUFFER
	86	949402 00000	WASHER
	87	947001 00000	HEX.NUT
	88	006801 27400	PROTECTING HOOD (FRONT)
	89	741310 90000	RUBBER BUFFER
	90	945318 00000	SOCKET HEAD SCREW
	91	951922 00000	RUBBER ELEMENT
	94	015100 27400	FOOT
	95	951921 00000	RUBBER ELEMENT
	96	068000 27600	SPACING COLLAR
	97	945323 00000	SOCKET HEAD SCREW
	98	949451 00000	WASHER
	102	968104 00000	RUBBER SLEEVE
	103	029600 16300	BOLT
	123	728003 99611	PRESSURE REGULATING VALVE
	129	943131 00000	NOZZLE
	133	951224 00000	SCREW PLUG

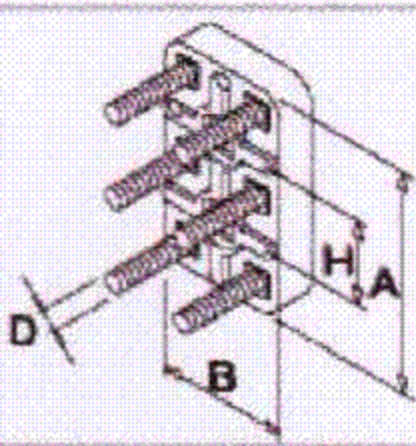
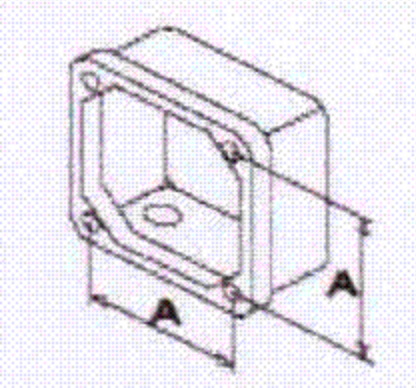
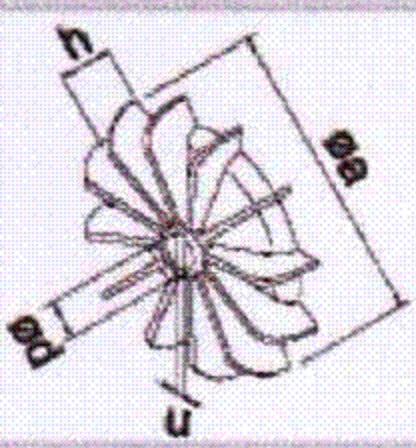
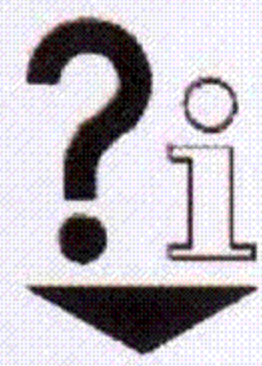
¹⁾ necessary order quantity / maintenance

DT 4.16 (1-) Design - single-phase AC
DT 4.16/05-51 (1-) Special design
 (3-) Special design
DT 4.16K/0-06 (3-) Design with cooler - without filter / three phase AC

Items different from standard appliance see appendix (back of drawing)

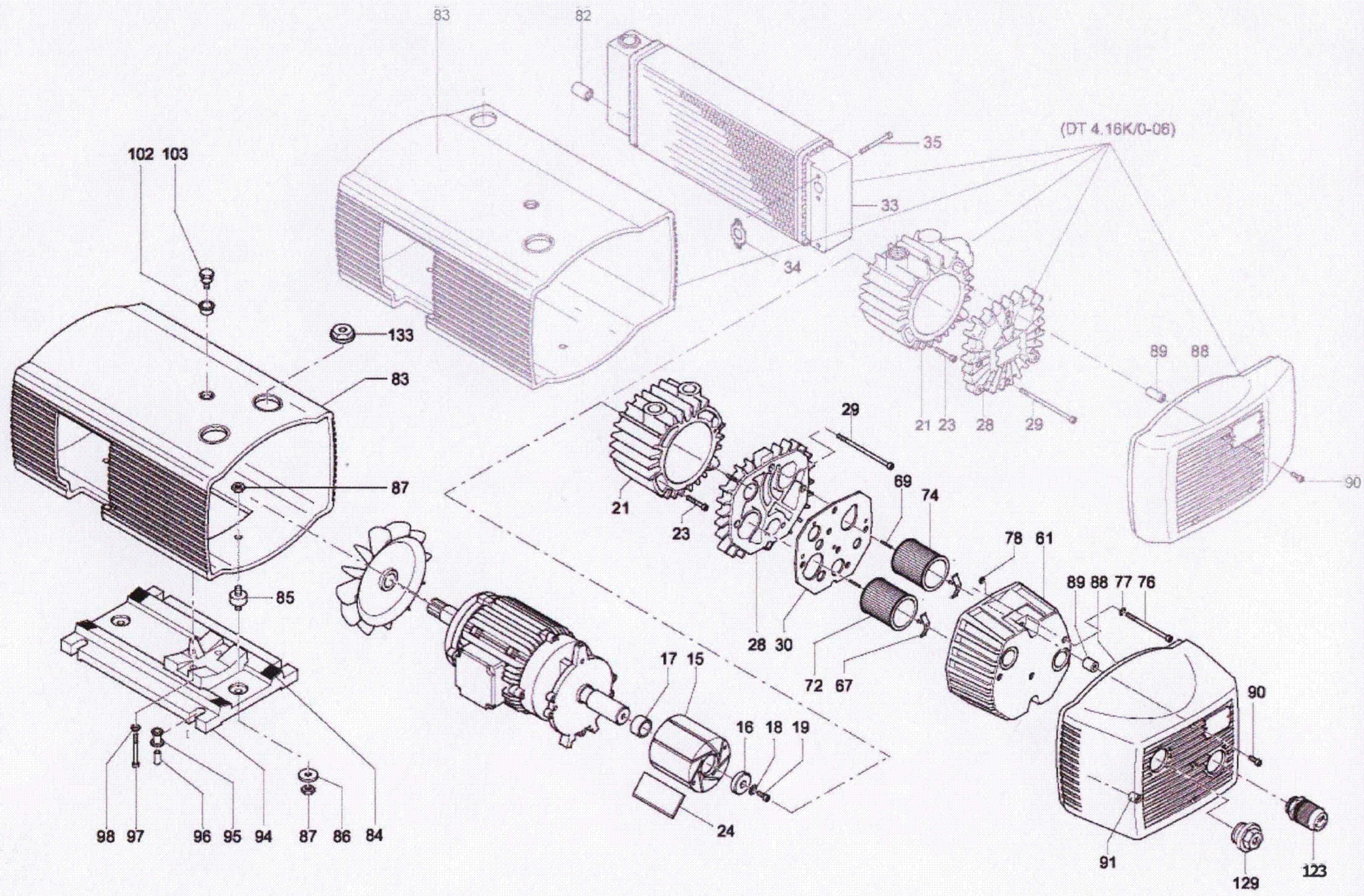
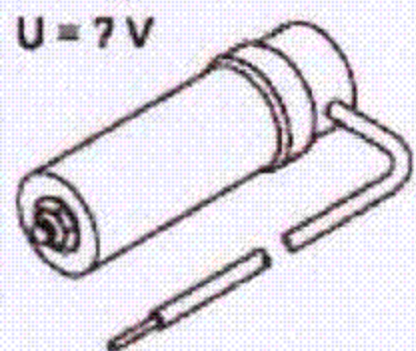


SERVICE



1-

C = 7 µF
U = 7V



standard

DT 4.10 (3-)

DT 4.16 (3-)

optional
en option
opcionale
opcional